

# KRHAM

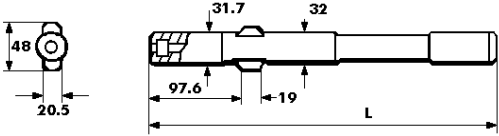
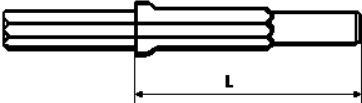
## COMPONENTS FOR TOP HAMMER



Shank Adapters

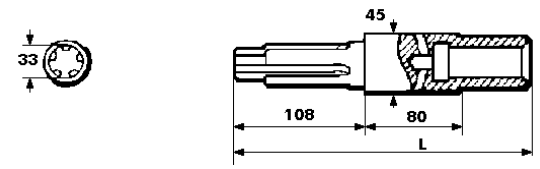
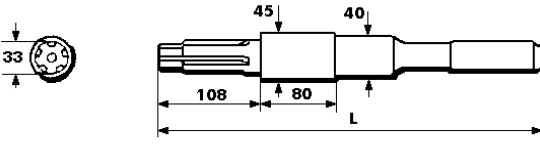
# Shank adapters

## R25 (1")

Adapter 25mm (1")	Long. mm	Drifter	Ordering Number	Flushing Tube	Weight
	381	BBC 44,100 Gardner-Denver 93 Ingersoll 350 Joy 400 RR Montabert TA 35, LC 50	152501	10	2.0
	255	Barra Culata	152502	8	1.6

# Shank adapters

## R28 (1" 1/8)

Adapter 28mm (1" 1/8)	Long. mm	Drifter	Ordering Number	Flushing Tube	Weight
	244	Cop 1028	152801	-	1.7
	400	Cop 1028	152802	-	2.5

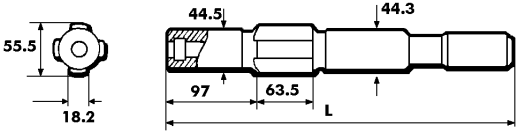
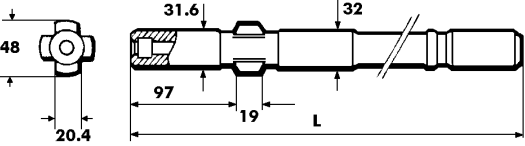
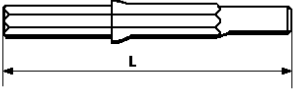
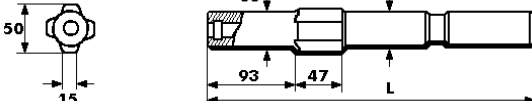
# Shank adapters

## R32 (1" 1/4)

Adapter 32mm (1" 1/4)	Long. mm	Drifter	Ordering Number	Flushing Tube	Weight
	381	BBC 44, 100 Gardner-Denver 93 Ingersoll 350 Joy 400 RR Montabert TA 35, LC 50	153201	10	2.0
	380	BBC 51, 52, 54, 120 Böhler HM 751, HM 755 Montabert H40, H50, H60	153202	10	2.6
	574	Cop 1038 HL	153203	-	4.4
	339	Cop 1032 HD	153204	-	4.5
	380	Cop 125, 130, 131	153205	14.3	2.7

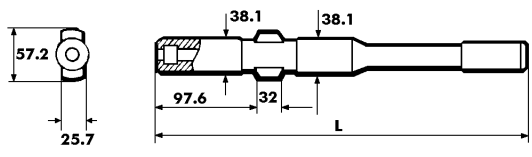
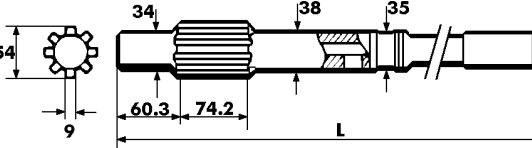
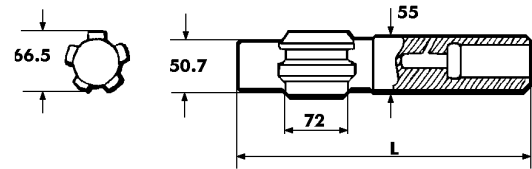
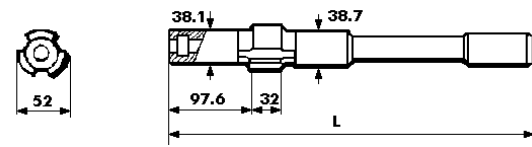
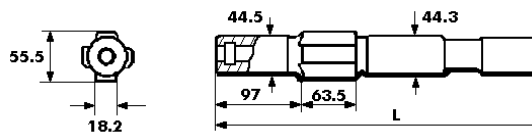
# Shank adapters

## R32 (1"1/4)

Adapter 32mm (1"1/4)	Long. mm	Drifter	Ordering Number	Flushing Tube	Weight
	343	Ingersoll-Rand URD 475, 550 VL 120, 140  Furukawa MD 120, HD 120  Gardner-Denver PR 123, 133  Le-Roi 155, 455R, LHD 155  Tamrock L600, L750  Toyo PR 220	153206	14.3	3.6
	380	Tamrock L400, L500	153207	10	4.3
	338	Barra Culata	153208	8	1.8
	347	YD 90	153209	10	2.1

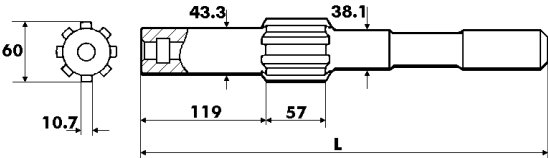
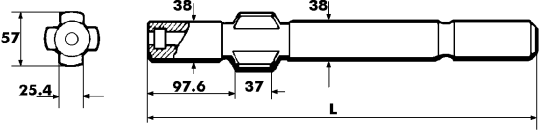
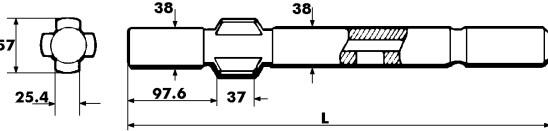
# Shank adapters

## R38 (1" 1/2)

Adapter 38mm (1" 1/2)	Long. mm	Drifter	Ordering Number	Flushing Tube	Weight
	390	BBC 51, 52, 54, 120 Bölher HM 751, HM 755 Montabert H40, H50, H60	153801	10	2.6
	462	Cop 1038 HD	153802	-	5.0
	330	Cop 126	153803	-	2.2
	380	Cop 125, 130, 131	153805	14.3	2.7
	343	Ingersoll-Rand URD 475, 550 VL 120, 140  Furukawa MD 120, HD 120  Gardner-Denver PR 123, 133  Le-Roi 155, 455R, LHD 155  Tamrock L600, L750  Toyo PR 220	153806	14.3	3.6

# Shank adapters

## R38 (1" 1/2)

Adapter 38mm (1" 1/2)	Long. mm	Drifter	Ordering Number	Flushing Tube	Weight
	410	Joy VCR 260, 261, 360	153807	16	3.9
	390	Tamrock HL438, HL538	153808	12.7	3.0
	450	Tamrock HL438, HL538	153809	-	4.3

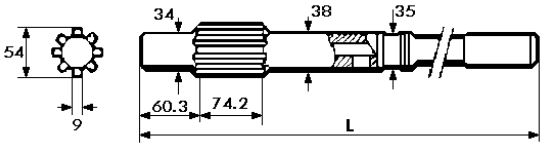
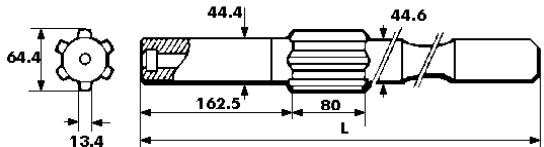
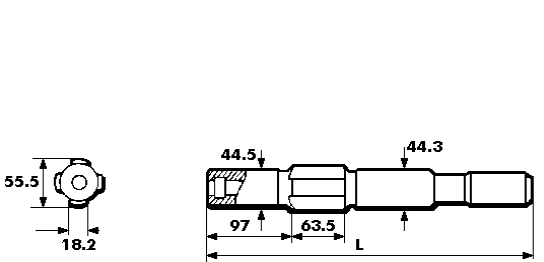
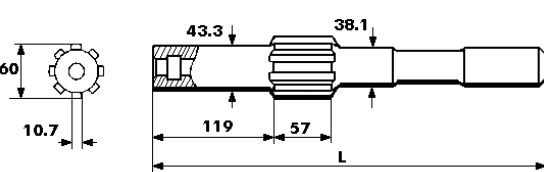
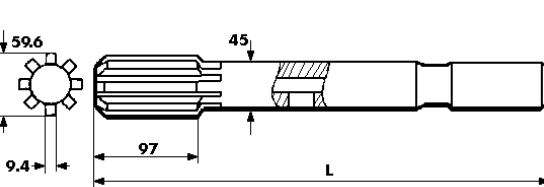
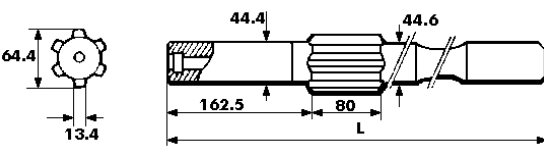
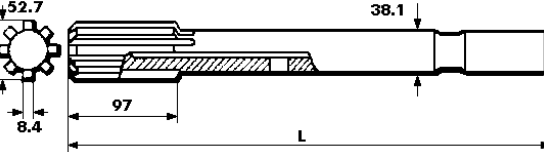
# Shank adapters

## T38 (1" 1/2)

Adapter 38mm (1" 1/2)	Long. mm	Drifter	Ordering Number	Flushing Tube	Weight
	496	Bölher HD 125, HD 150	103801	-	4.1
	501	BBC 51, 52, 54, 120 Bölher HM 751, HM 755 Montabert H40, H50, H60	103802	10	2.6
	380	Cop 125, 130, 131	103803	14.3	2.7
	557	Cop 150	103804	16	6.7
	573	Cop 1038 HL	103805	-	5.0
	407	Cop 131 EB	103806	14.3	3.4
	370	Cop 115, 932 MC	103807	10	3.0

# Shank adapters

## T38 (1" 1/2)

Adapter 38mm (1" 1/2)	Long. mm	Drifter	Ordering Number	Flushing Tube	Weight
	499	Cop 1038 HB, 1036 HB, 1238	103808	-	4.4
	530	BBE 56,57 Montabert H 100 Ingersoll 401	103809	14.3	5.3
	343	Ingersoll-Rand URD 475, 550 VL 120, 140 Furukawa MD 120, HD 120 Gardner-Denver PR 123, 133 Le-Roi 155, 455R, LHD 155 Tamrock L600, L750 Toyo PR 220	103810	14.3	3.6
	410	Joy VCR 260, 261, 360	103811	16	3.9
	474	Montabert HC 120	103812	-	5.6
	447	BBE 56, 57, Montabert H 100	103813	14.3	4.5
	498	Montabert HC 80	103814	-	4.9

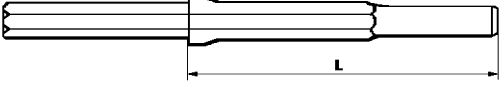
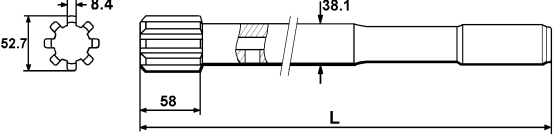
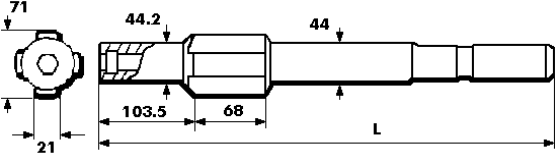
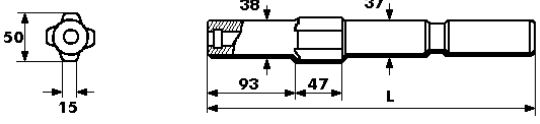
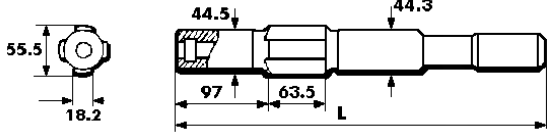
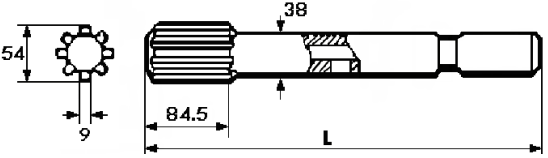
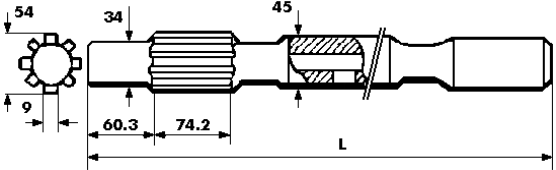
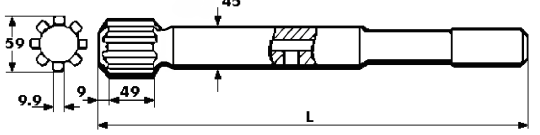
# Shank adapters

## T38 (1" 1/2)

Adapter 38mm (1" 1/2)	Long. mm	Drifter	Ordering Number	Flushing Tube	Weight
	390	Tamrock HL 438, HL 538	103815	12.7	3.0
	450	Tamrock HL438, HL538	103816	-	4.3
	555 464	Tamrock HL 500	103817 103824	- -	4.0 3.2
	599	Tamrock HL 600	103818	-	6.2
	486	Ingersoll YH 65	103819	19	5.0
	508	Cop 938 MS	103821	-	4.4
	600	Tamrock HL 645	103822	-	6.5

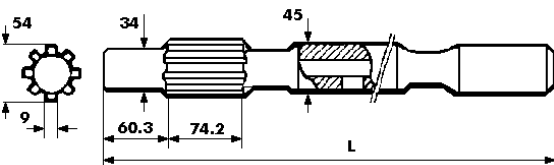
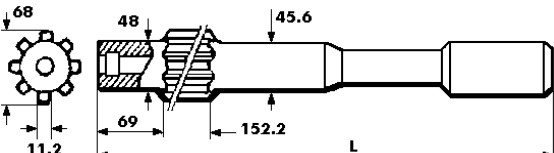
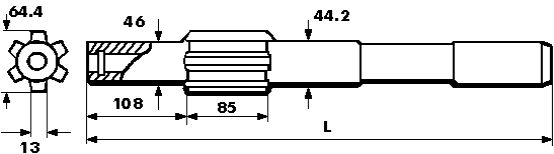
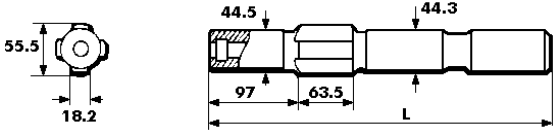
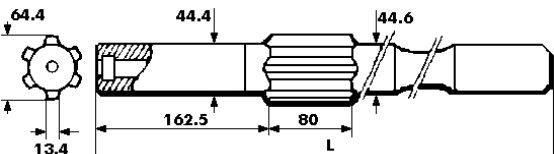
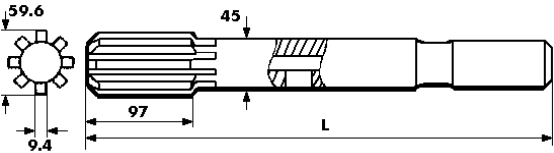
# Shank adapters

## T38 (1" 1/2)

Adapter 38mm (1" 1/2)	Long. mm	Drifter	Ordering Number	Flushing Tube	Weight
	608	Barra Culata	103823	-	3.6
	447	Montabert HC 40	103825	-	3.5
	482	Furukawa PD 200	103826	14	5.3
	347	YD 90	103827	10	2.5
	393	VL-140	103828	14.3	4.2
	439	Cop 1838	103829	-	4.0
	575	Cop 1238	103830	-	5.4
	500	Tamrock HL 550 Super, M 92	103831	-	5.2

# Shank adapters

## T45 (1"3/4)

Adapter 45mm (1"3/4)	Long. mm	Drifter	Ordering Number	Flushing Tube	Weight
	499	Cop 1238	104502	-	4.4
	557	Cop 150	104503	16	6.7
	486	Ingersoll YH 65	104504	19	5.3
	354	Ingersoll-Rand URD 475, 550 VL 120, 140  Furukawa MD 120, HD 120  Gardner-Denver PR 123, 133  Le-Roi 155, 455R, LHD 155  Tamrock L600, L750  Toyo PR 220	104505	14.3	3.6
	530	BBE 56, 57  Montabert HL 100  Ingersoll YH 60	104506	14.3	5.3
	490	Montabert HC 120	104508	-	5.6

# Shank adapters

## T45 (1"3/4)

Adapter 45mm (1"3/4)	Long. mm	Drifter	Ordering Number	Flushing Tube	Weight
	499	Tamrock HL 850	104509	19	6.1
	599	Tamrock HL 600	104510	-	6.2
	600	Tamrock HL 645	104512	-	6.5
	670	Tamrock HL 850	104513	-	7.5
	555	Tamrock HL 500	104514	-	4.0
	482	Furukawa PD 200	104515	14	5.5
	670.5	Montabert HC 120 R	104517	-	7.5

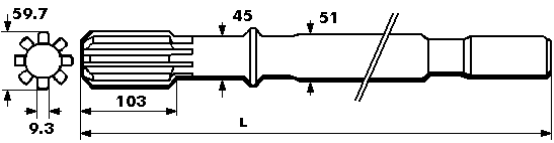
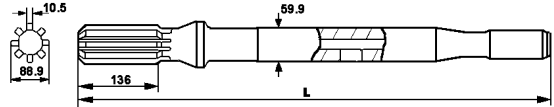
# Shank adapters

## T45 (1"3/4)

Adapter 45mm (1"3/4)	Long. mm	Drifter	Ordering Number	Flushing Tube	Weight
	590	Cop 1238	104518	-	5.2
	655	Furukawa HD 300	104519	16	6.7
	670.5	Montabert HC 80 R	104520	-	7.3
	525	Cop 1550,1838	104521	-	6.2
	587.9	Tamrock HL 700	104523	-	8.0
	638	Soosan Mitsui	104524	16	9.0
	495	Ingersoll YH 80 A, YH 65, YH 70	104525	20	7.0

# Shank adapters

## T45 (1"3/4)

Adapter 45mm (1"3/4)	Long. mm	Drifter	Ordering Number	Flushing Tube	Weight
	771.5	Montabert HC 120 RL	104526	-	9.2
	807	Montabert HC 160 R	104527	-	10.3

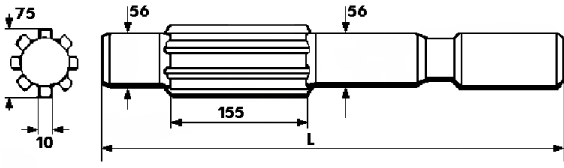
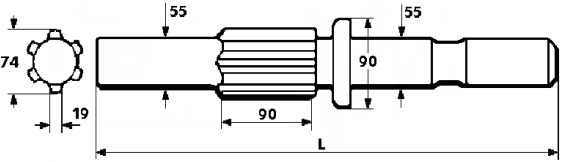
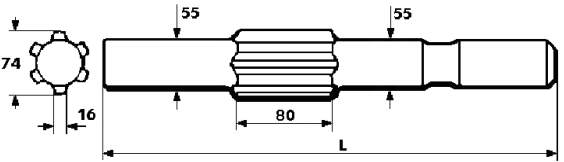
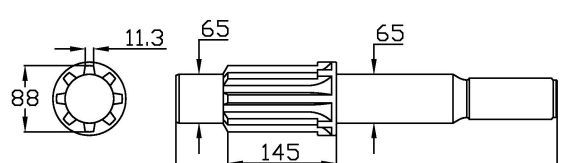
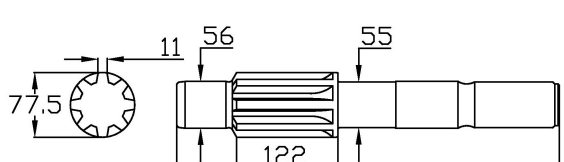
# Shank adapters

## T51 (2")

Adapter 51mm (2")	Long. mm	Drifter	Ordering Number	Flushing Tube	Weight
	499	Tamrock HL 850	105101	19	7.0
	507	Joy VCR 280	105102	32	8.1
	670	Tamrock HL 850	105103	-	7.5
	670.5	Montabert HC 120 R	105104	-	8.8
	587.9	Tamrock HL 700	105106	-	8.2
	807	Montabert HC 160 R	105107	-	10.4

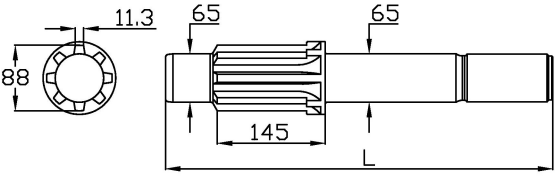
# Shank adapters

## H55

Adapter 55mm	Long. mm	Drifter	Ordering Number	Flushing Tube	Weight
	500	Klemm 4026/4053	155501	-	10.5
	581	Krupp HB 30A, 40A	155502	-	12.0
	501	Krupp HB 103	155503	-	9.4
	510	Eurodrill HD 4008	155507	-	10
	461	Eurodrill HD 2004	155508	-	9

# Shank adapters

## H64

Adapter 64mm	Long. mm	Drifter	Ordering Number	Flushing Tube	Weight
	520	Eurodrill HD 4008	156404	-	15

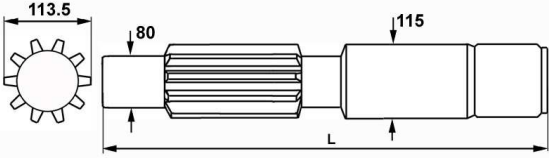
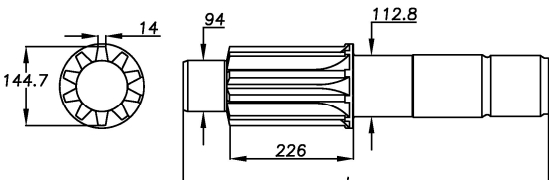
# Shank adapters

## H90

Adapter 90mm	Long. mm	Drifter	Ordering Number	Flushing Tube	Weight
	752	Krupp HB-50	1509002	-	35
	575	Eurodrill HD5012 / HD5012-3	1509003	-	25

# Shank adapters

## HI 12

Adapter 112mm	Long. mm	Drifter	Ordering Number	Flushing Tube	Weight
	690	Klemm KD 1624	1511201	-	40.5
	669	Klemm KD 1828R	1511202	-	38